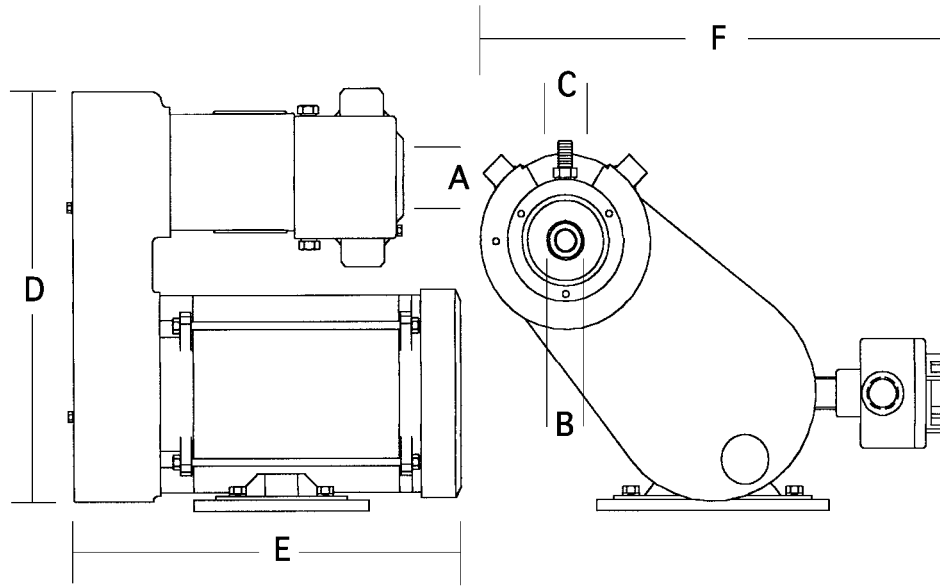


# Model 400DL Specifications and Dimensions



## STANDARD FEATURES:

- 1 HP, 115/230 volt, 50/60 Hz, explosion proof, single phase motor (see options for starters and controls).
- Unit operates at 7667 rpm.
- Standard, single-stage, Rotor/Stator complete with disintegrating, slotted, and fine screen stator heads.
- Equipped with a single mechanical seal.
- Type 316 stainless steel wetted parts.
- Designed for bench mounting.
- All non-stainless steel external surfaces coated with a white two part epoxy paint.

## AVAILABLE OPTIONS:

- Quad Slot design Rotor/Stator.
- Special single and double mechanical seals.
- Enclosed drive design including stainless steel work area.
- Benches for mounting of machine are available in either carbon or stainless steel.
- Sanitary designs with special seals, polished components and sanitary connections.
- Special inlet flange with multiple inlets.
- Jacketed mixing chamber.
- Recirculating system including stainless steel 2-1/2 gallon tank, piping and valves.
- 1 HP 230/460 volt, three phase, explosion proof motor (can be used with optional inverter for variable speed operation).
- Controls such as inverters, motor starters, or explosion proof operators stations are available (voltage, frequency and type of enclosure must be specified).

Series 400	STD HP	A Rotor Dia.		B Inlet Size		C Outlet Size		D O.A. Height		E O.A. Length		F O.A. Width		Weight		Capacity Water	
		"	mm	"	mm	"	mm	"	mm	"	mm	"	mm	Lbs.	Kgs.	GPM	L/Min.
400DL	1	1 3/8	35	3/4	19	1/2	13	15 1/4	387	12 1/2	318	8 1/2	216	60	27	10	38

HSM DL SS-00



**CHARLES ROSS & SON COMPANY**

P.O. Box 12308, 710 Old Willets Path, Hauppauge, NY 11788 • Fax: 1-631-234-0691 • Tel: 1-631-234-0500

Website: [www.mixers.com](http://www.mixers.com) • Email: [sales@mixers.com](mailto:sales@mixers.com)